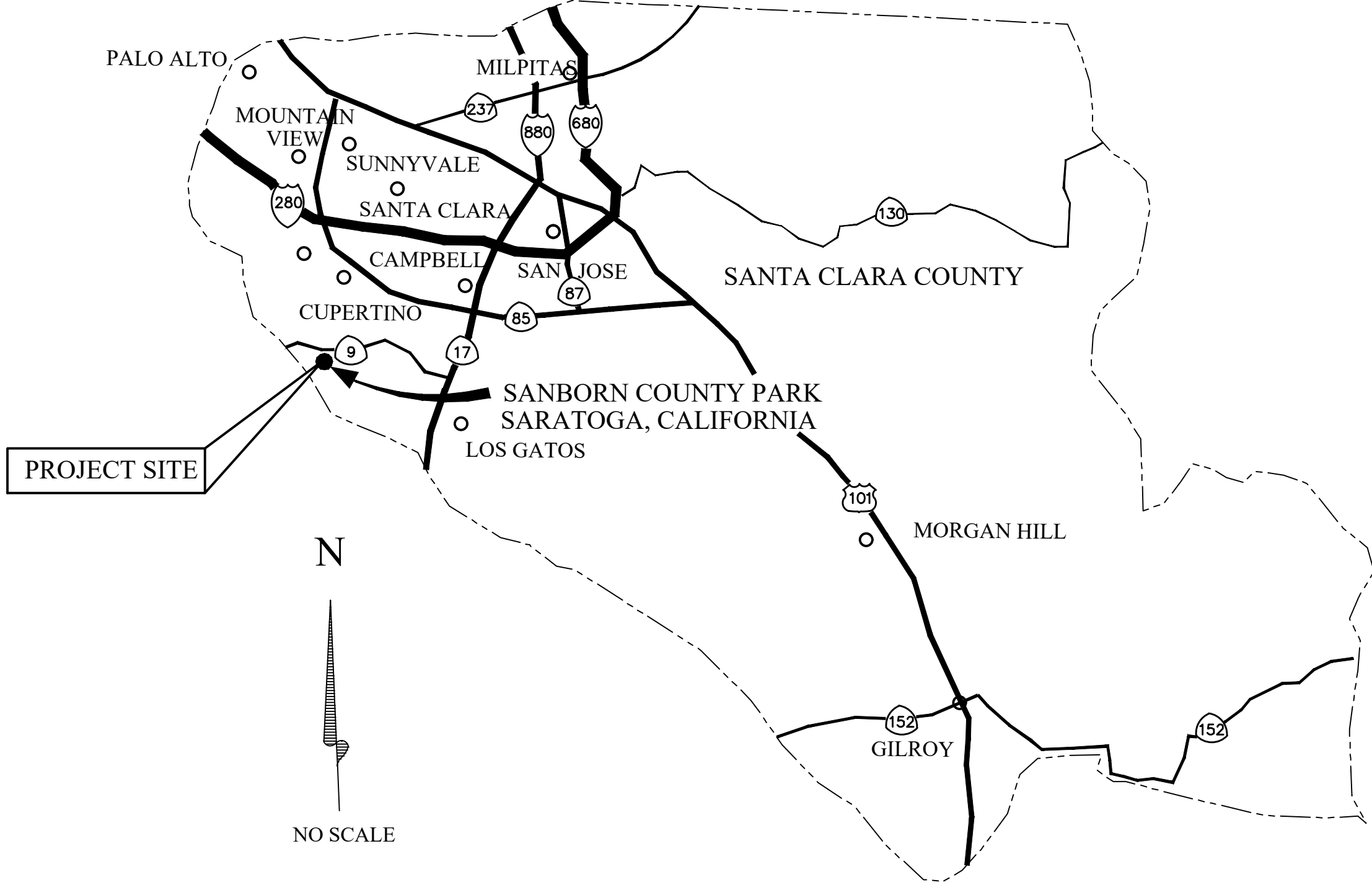
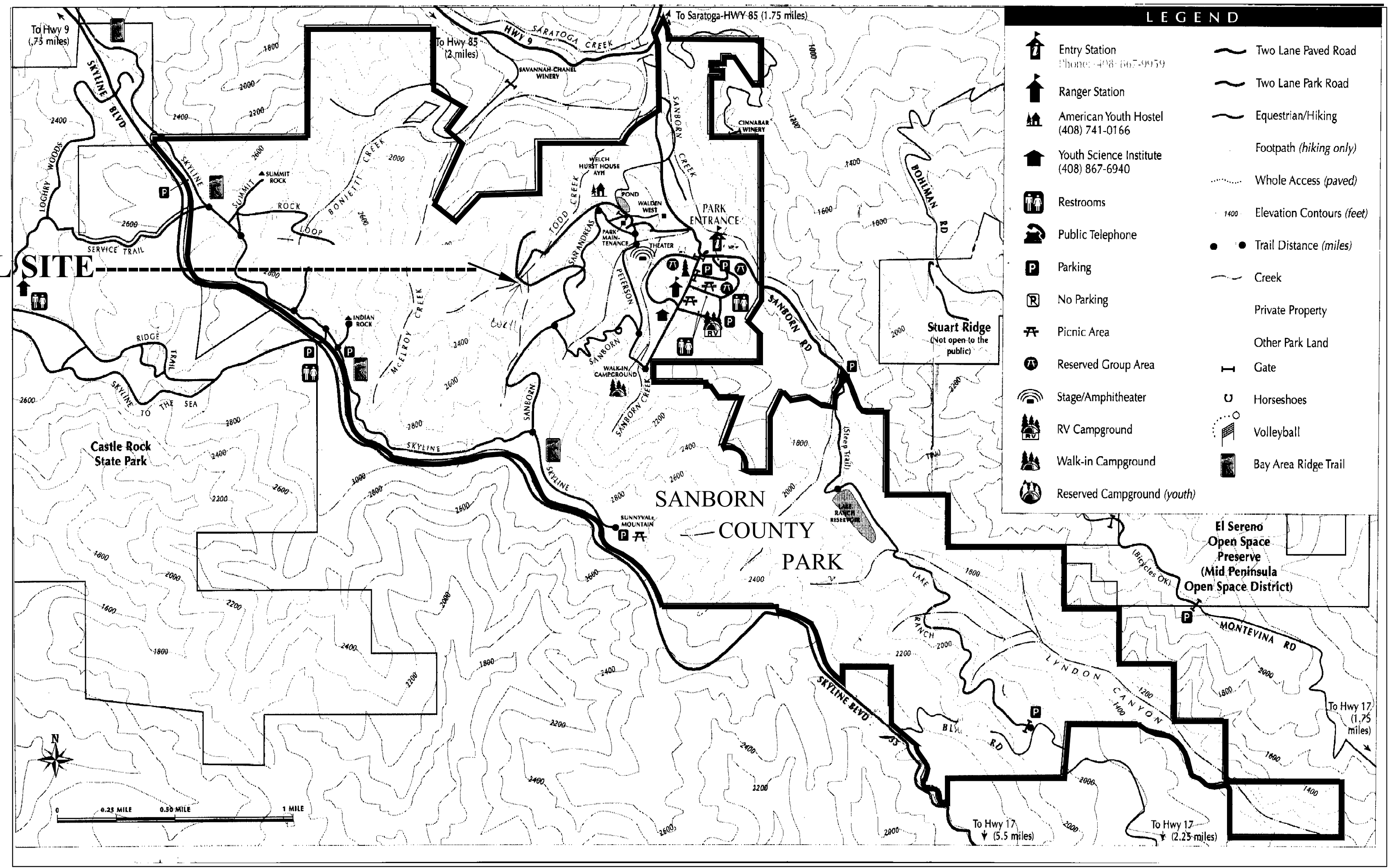


**SANTA CLARA COUNTY
 OFFICE OF EDUCATION**
PLANS FOR THE CONSTRUCTION OF
WALDEN WEST TANK & PUMP STATION
WATER SYSTEM IMPROVEMENTS
SANBORN COUNTY PARK
SARATOGA, CALIFORNIA



LOCATION MAP 
not to scale

WALDEN WEST WELL SITE



WALDEN WEST SITE
SANBORN COUNTY PARK VICINITY MAP 
 SCALE 3" = 1 MILE

INDEX OF DRAWINGS

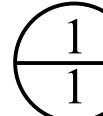
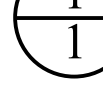
- SHEET 1 Cover Sheet
- SHEET 2 Details

Freitas + Freitas
Engineering and Planning Consultants
 3233 Valencia Street A1
 Aptos, CA 95003
 (831) 251-3552 Phone

Under the Direct Supervision of:



 Michael J. Freitas, R.C.E. 23345

LEGEND

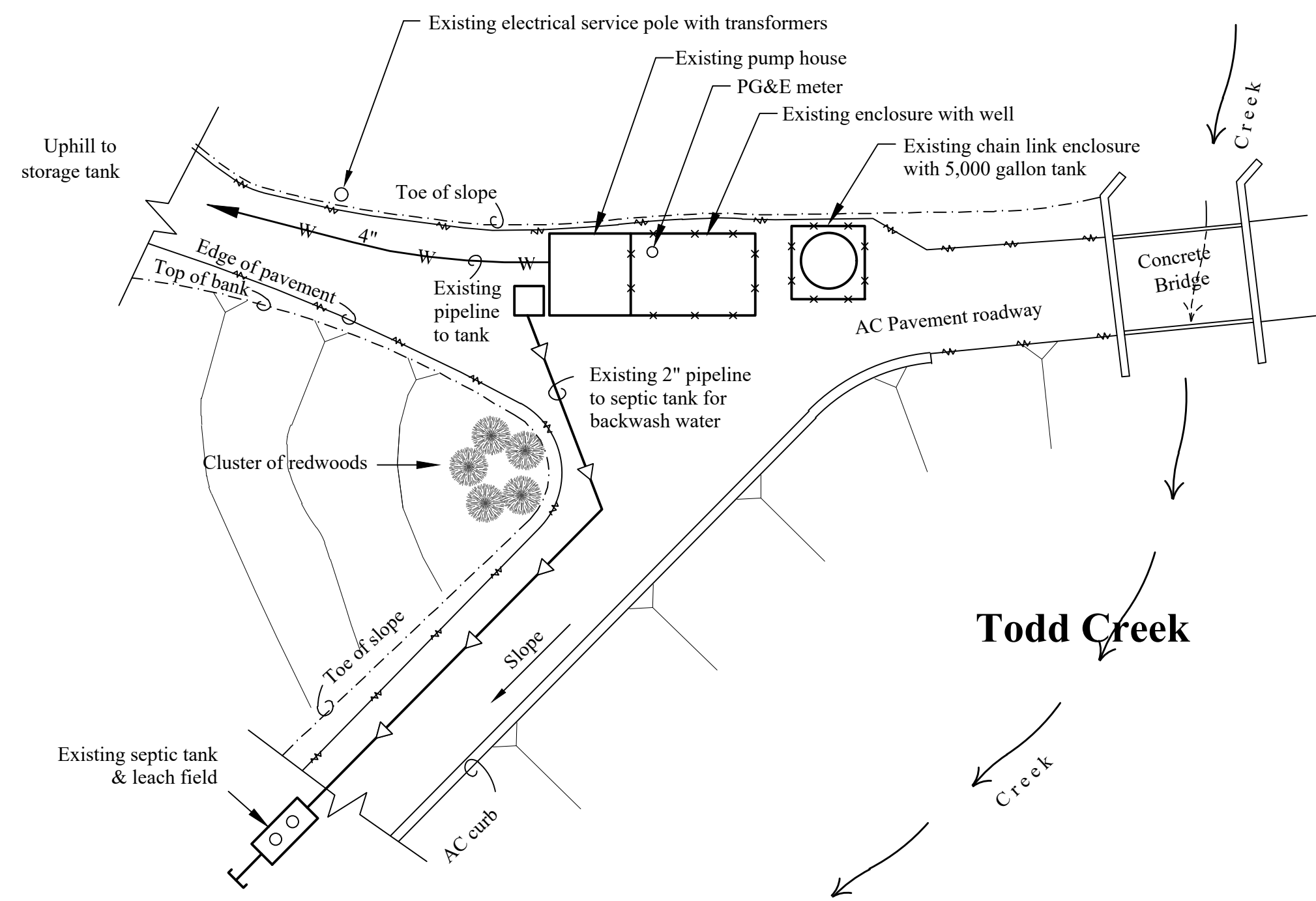
-  ← Indicates Detail Number
-  ← Indicates Sheet Number



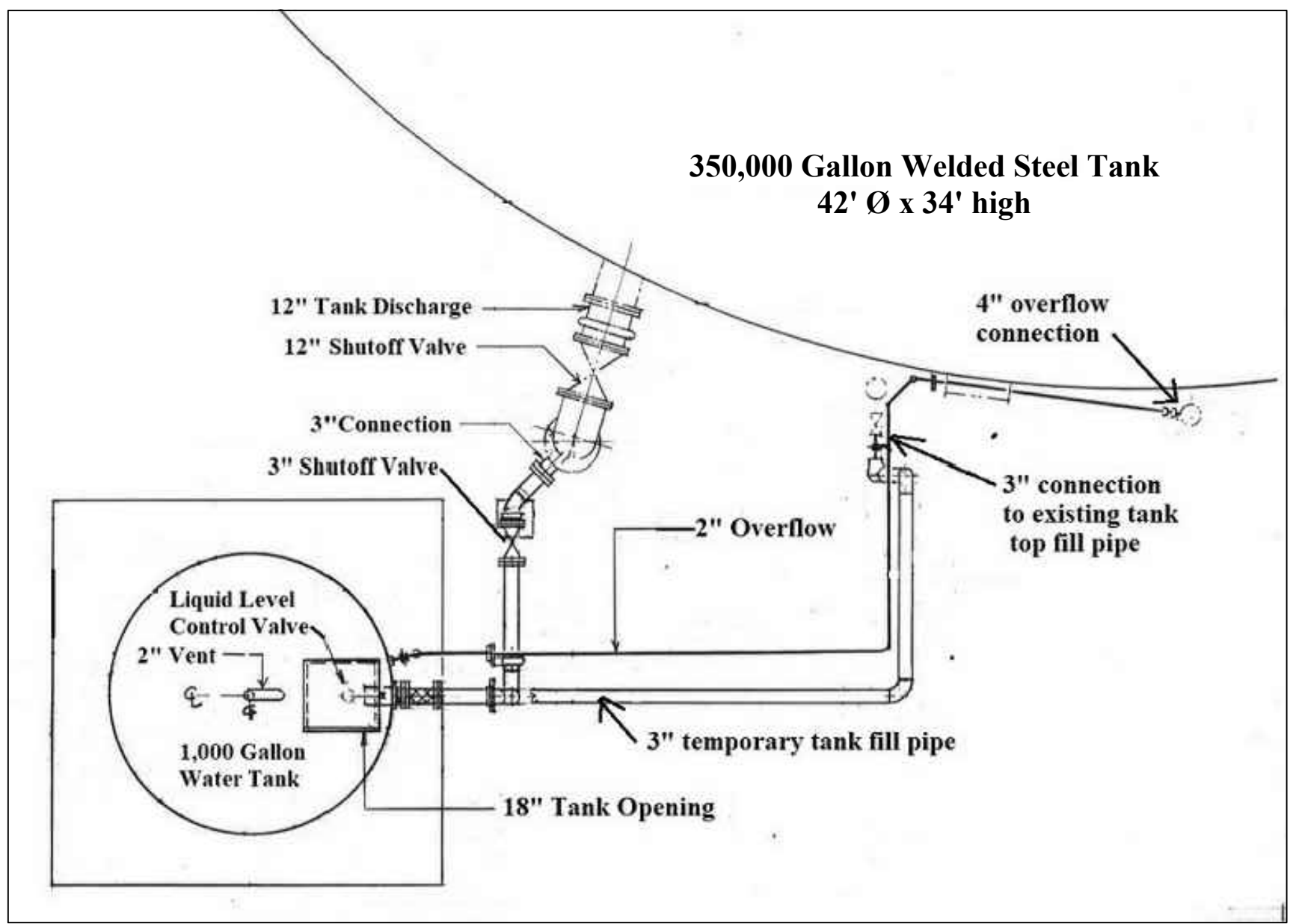
Michael J. Freitas

FREITAS + FREITAS Engineering and Planning Consultants 3233 Valencia Street A1, Aptos, CA 95003 (831) 688-1168	DESIGNED Mike				 County of Santa Clara OFFICE OF EDUCATION Submitted: _____ Approved: _____	COVER SHEET WATER SYSTEM IMPROVEMENTS WALDEN WEST SITE SANBORN COUNTY PARK	SHEET NO. 1 of 2 DATE May 2024
	DRAWN Digital Graphics						
	CHECKED						
	JOB	NO.	REVISION	BY	APPROD DATE		

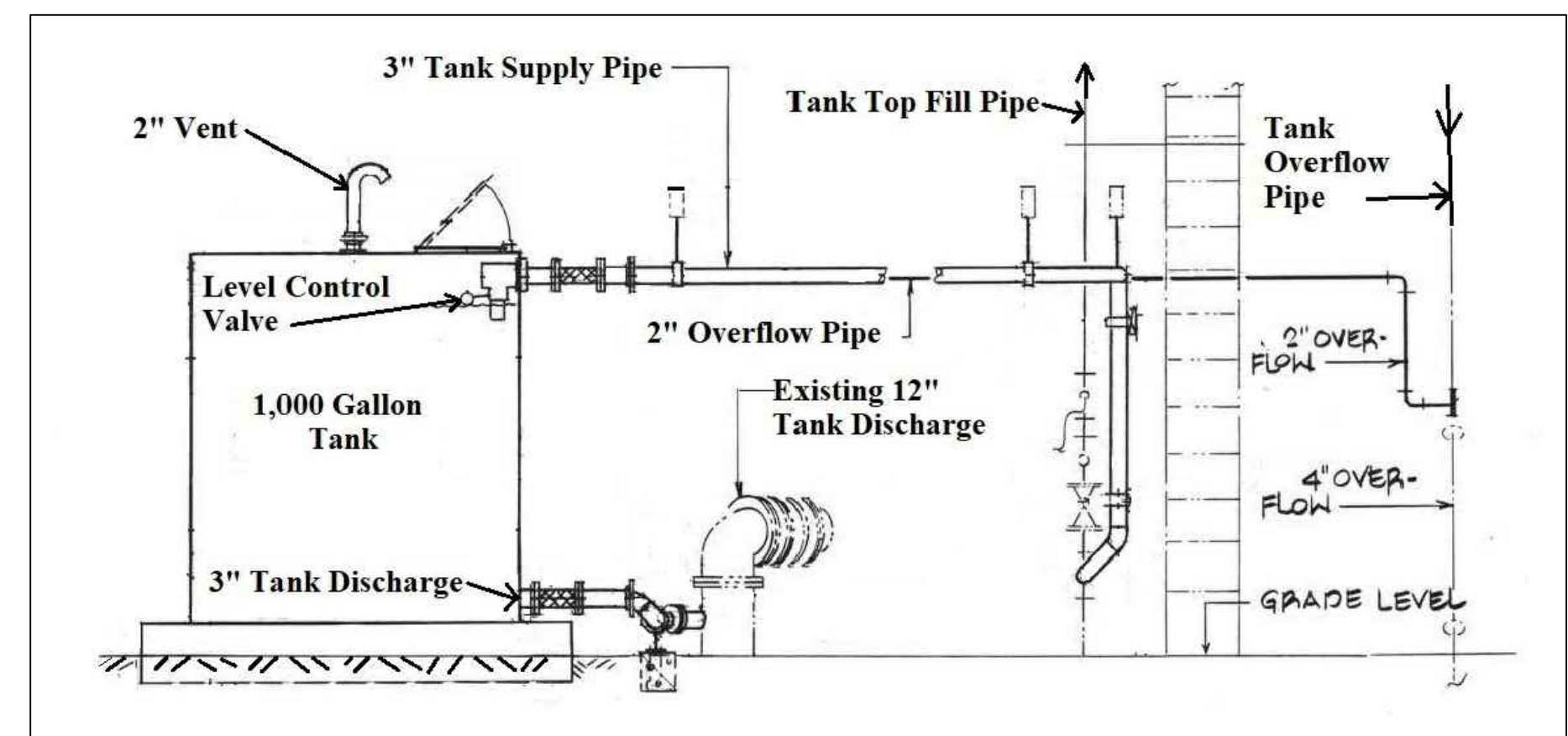
D:\Freitas\Sanborn Walden West.dwg, 4/23/2024 4:01:30 PM, ARCH full bleed D (24.00 x 36.00 inches)



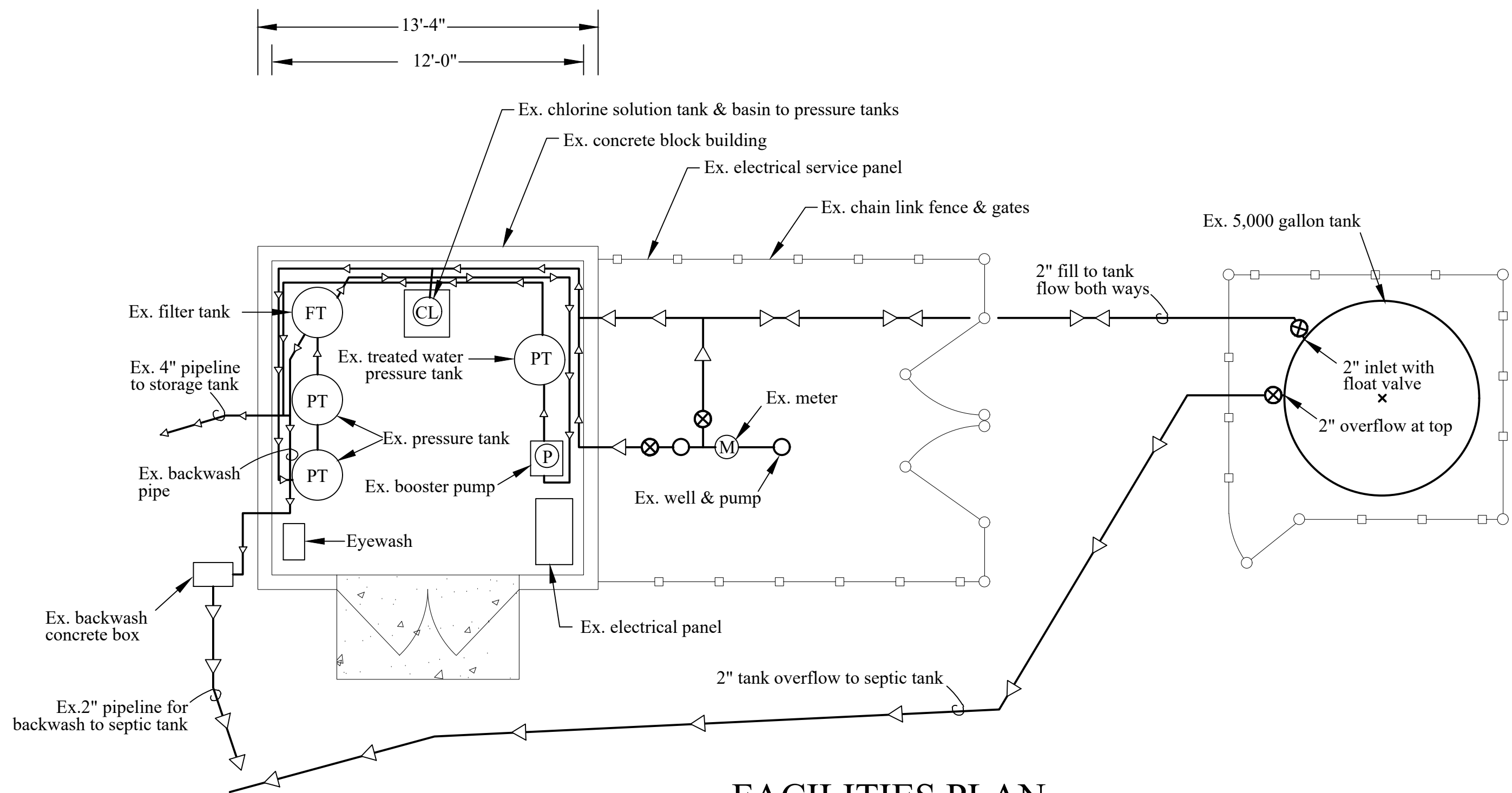
**LOCATION PLAN
WALDEN WEST WELL SITE** 1
2
Scale 1" = 20'



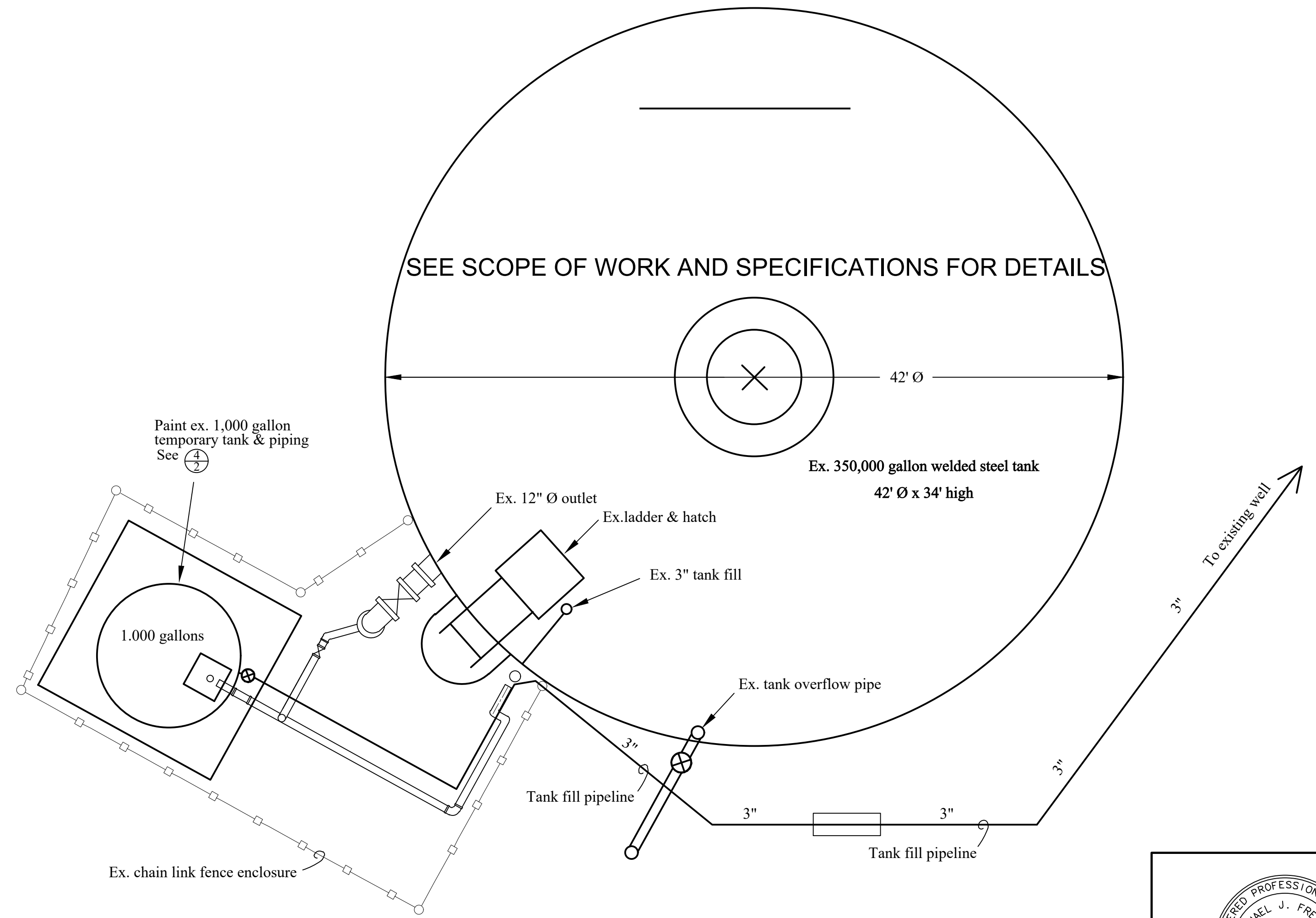
PLAN OF 1,000 GALLON TANK & PIPING 4
2
not to scale



ELEVATION OF 1,000 GALLON TANK & PIPING 5
2
not to scale



**FACILITIES PLAN
WALDEN WEST WELL SITE** 2
2
Scale 1/4" = 1'-0"



EXISTING TANK PLAN 3
2
Scale 1" = 5'-0"

REGISTERED PROFESSIONAL ENGINEER
MICHAEL J. FREITAS
NO. C-23345
CIVIL
STATE OF CALIFORNIA

Michael J. Freitas

D:\Freitas\Sanborn Walden West.dwg, 4/23/2024 4:03:08 PM, ARCH full bleed D (24.00 x 36.00 inches)

DESIGNED	Mike				
DRAWN	Digital Graphics				
CHECKED					
JOB					
NO.		REVISION		BY	APPRO. DATE

